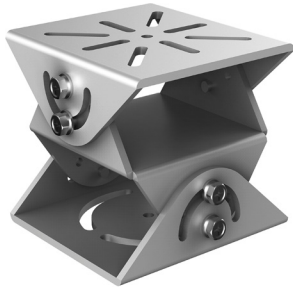


DH-PFA162-SG

Housing Bracket



- Aluminum alloy material
- Matched with particular cameras, beautiful and elegant designed



Aesthetic Design



Made of Aluminum



Easy Installation

Scene

Suitable for camera mounting with operating temperature from -40°C to $+60^{\circ}\text{C}$ (-40°F to $+140^{\circ}\text{F}$) and relative humidity less than 90%.

Technical Specification

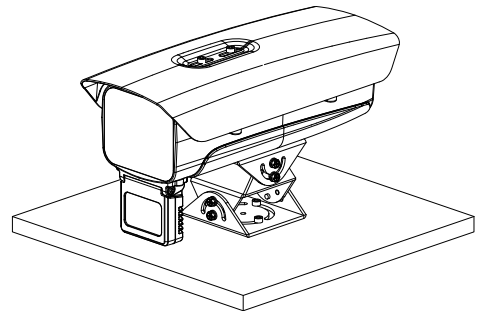
Performance

Model	DH-PFA162-SG
Material	Aluminum alloy
Product Dimensions	115.0 mm × 115.0 mm × 98.8 mm (4.53" × 4.53" × 3.89") (L × W × H)
Net Weight	0.5 kg (1.1 lb)
Load Bearing	6.0 kg (13.23 lb)
Operating Temperature	-40°C to $+60^{\circ}\text{C}$ (-40°F to $+140^{\circ}\text{F}$)
Operating Humidity	<90% (RH)
Color	Silver gray
Applicable Camera	Please see "Accessory Selection"

Ordering Information

Type	Model	Description
Camera Mount	DH-PFA162-SG	Housing Bracket

Installation



Dimensions (mm/inch)

