

DS-2TD2117-10/PA Thermal Network Bullet Camera

DeepinView^{series}



Hikvision DS-2TD2117-10/PA Thermal Network Bullet Camera, equipped with built-in GPU which supports intelligent behavior analysis algorithm, can realize high-precision VCA detection and real-time alarm. It is applied to perimeter protection and fire prevention purposes in commercial facilities such as residential, retail, villa, parking lot, museum, data centers and so on. The pre-alarm system helps you discover unexpected events immediately and protects your property.

Key Feature

- Behavior analysis function, based on deep learning algorithm: line crossing, intrusion, region entrance & exit
- Temperature exception alarm
- Fire detection algorithm
- 160 × 120 (the resolution of output image is 320 × 240) resolution 17 μm, VOx UFPA, NETD ≤ 40 mK (25 °C, F# = 1.1)
- Image processing technology: Liner, histogram, and self-adaptive thermal AGC mode, DDE, 3D DNR

Specification

Thermal Module	
Image Sensor	Vanadium Oxide Uncooled Focal Plane Arrays
Resolution	160 × 120 (the resolution of output image is 320 × 240)
Pixel Interval	17 μm
Response Waveband	8 μm to 14 μm
NETD (Noise Equivalent Temperature Difference)	≤ 40 mK (25 °C, F# = 1.1)
Focal Length	9.7 mm
IFOV	1.75 mrad
Field of View	15.96° × 12° (H × V)
Min. Focusing Distance	1.2 m
Aperture	F 1.1
Digital Zoom	×2, ×4, ×8
Image Effect	
Target Coloration	Yes. Supported in white hot and black hot mode.
Audible and Visual Alarm	
White Light Range	Up to 40 m
Visual Alarm	Yes. White light used as the visual alarm, flashing frequency adjustable
Audio alarm	Yes. 6 audio alarms are supported to cover all kinds of alarm.
Smart Function	
VCA (Video Content Analysis)	4 VCA rule types (line crossing, intrusion, region entrance, and region exiting), up to 8 VCA rules in total.
Temperature Measurement	3 temperature measurement rule types, 21 rules in total (10 points, 10 regions, and 1 line).
Temperature Range	-20 °C to 150 °C (-4 °F to 302 °F)
Temperature Accuracy	± 8 °C (14.4 °F)
Fire Detection	Dynamic fire detection, up to 10 fire points detectable.
Video & Audio	
Main Stream	25 fps (1280 × 720, 704 × 576, 640 × 480, 352 × 288, 320 × 240)
Sub-stream	25 fps (704 × 576, 352 × 288, 320 × 240)
Third Stream	25 fps (1280 × 720, 704 × 576, 352 × 288, 320 × 240)
Video Compression	Main Stream: H.265/H.264 Sub-Stream: H.265/H.264/MJPEG Third Stream: H.265/H.264/MJPEG
Audio Compression	G.711u/G.711a/G.722.1/MP2L2/G.726/PCM
Network	
Protocols	IPv4/IPv6, HTTP, HTTPS, 802.1x, Qos, FTP, SMTP, UPnP, SNMP, DNS, DDNS, NTP, RTSP, RTCP, RTP, TCP, UDP, IGMP, ICMP, DHCP, PPPoE

Network Storage	MicroSD/SDHC/SDXC card (up to 256 G) local storage, and NAS (NFS, SMB/CIFS), auto network replenishment (ANR)
API	ISAPI, HIKVISION SDK, third-party management platform, ONVIF (Profile S, Profile G, Profile T)
Simultaneous Live View	Up to 20 channels
User/Host Level	Up to 32 users, 3 levels: Administrator, Operator, User
Security	User authentication (ID and PW), MAC address binding, HTTPS encryption, IEEE 802.1x(EAP-MD5, EAP-TLS), access control, IP address filtering
Client	iVMS-4200, Hik-Connect
Web Browser	Live view (plug-in allowed) : Internet Explorer 11 Live view (plug-in free) : Chrome 57.0 +, Firefox 52.0 + Local service : Chrome 57.0+, Firefox 52.0 +
Interface	
Alarm Input	2-ch inputs (0-5 VDC)
Alarm Output	2-ch relay outputs, alarm response actions configurable
Alarm Action	SD card record/relay output/smart capture/FTP upload/email linkage /audio alarm/white light alarm
Audio Input	1, 3.5 mm Mic in/Line in interface Line input: 2-2.4 V [p-p], output impedance: 1 K Ω \pm 10%
Audio Output	Linear level, impedance: 600 Ω
Communication Interface	1, RJ45 10 M/100 M self-adaptive Ethernet interface 1, RS-485 interface
General	
Menu Language	32 languages English, Russian, Estonian, Bulgarian, Hungarian, Greek, German, Italian, Czech, Slovak, French, Polish, Dutch, Portuguese, Spanish, Romanian, Danish, Swedish, Norwegian, Finnish, Croatian, Slovenian, Serbian, Turkish, Korean, Traditional Chinese, Thai, Vietnamese, Japanese, Latvian, Lithuanian, Portuguese (Brazil)
Power	12 VDC \pm 20%, two-core terminal block PoE (802.3af, class 3)
Power Consumption	12 VDC \pm 20%: 0.4 A, max. 4.5 W PoE (802.3af, class 3): 42.5 V to 57 V, 0.14 A to 0.22 A, max. 5 W
Working Temperature/Humidity	-40 $^{\circ}$ C to 65 $^{\circ}$ C (-40 $^{\circ}$ F to 149 $^{\circ}$ F) 95% or less
Protection Level	IP66 Standard TVS 6000V lightning protection, surge protection, voltage transient protection
Dimensions	358.3 mm \times 113.5 mm \times 115.2 mm (14.10" \times 4.47" \times 4.53")
Weight	Approx. 1.71 kg (3.77 lb)

DRI Range Table

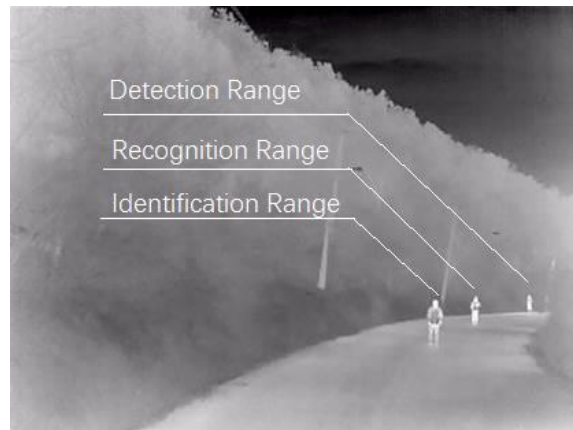
* The table is only for reference and the performance may vary according to different environment.

* The optimal human detection, recognition, and identification distances are calculated according to Johnson's Criteria.

Detection Range: In order to distinguish an object from the background, the object must be covered by 1.5 or more pixels.

Recognition Range: In order to classify the object (animal, human, vehicle, etc.), the object must be covered by 6 or more pixels.

Identification Range: In order to identify the object and describe it in details, the object must be covered by 12 or more pixels.



Detection Range (Vehicles: 1.4 × 4.0 m)	Detection Range (Humans: 1.8 × 0.5 m)	Recognition Range (Vehicles: 1.4 × 4.0 m)	Recognition Range (Humans: 1.8 × 0.5 m)	Identification Range (Vehicles: 1.4 × 4.0 m)	Identification Range (Humans: 1.8 × 0.5 m)
875 m	285 m	219 m	71 m	109 m	36 m

Smart Function Table

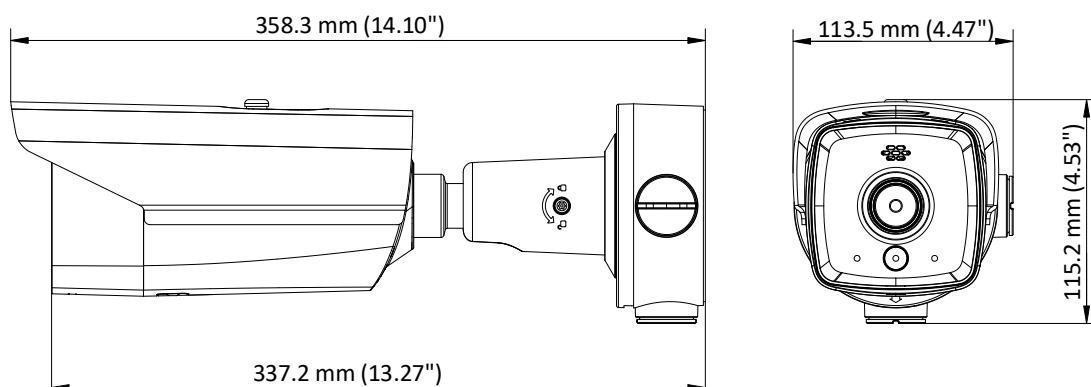
* The table is only for reference and the performance may vary according to different environment.

VCA Range (Vehicles: 1.4 × 4.0 m)	VCA Range (Humans: 1.8 × 0.5 m)	Temperature Measurement (Object: 2 × 2 m)	Temperature Measurement (Object: 1 × 1 m)	Fire Detection (Object: 2 × 2 m)	Fire Detection (Object: 1 × 1 m)
133 m	48 m	235 m	118 m	588 m	294 m

Available Model

DS-2TD2117-10/PA

Dimension



▪ Accessory

DS-1275ZJ-S-SUS
Vertical Pole Mount



DS-1276ZJ-S-SUS
Corner Mount

COMPLIANCE NOTICE: The thermal series products might be subject to export controls in various countries or regions, including without limitation, the United States, European Union, United Kingdom and/or other member countries of the Wassenaar Arrangement. Please consult your professional legal or compliance expert or local government authorities for any necessary export license requirements if you intend to transfer, export, re-export the thermal series products between different countries.