

DS-3T0306HP-E/HS

4-Port 100M Unmanaged Hi-PoE Switch



DS-3T0306HP-E/HS switches are layer 2 Hi-PoE switches, providing advanced PoE power supply technology and wider temperature (-30 to 65 °C) design on the basis of high-performance access to ensure stable data upload. The switches support Hi-PoE, long range, port isolation, and PoE watchdog function.

Key Feature

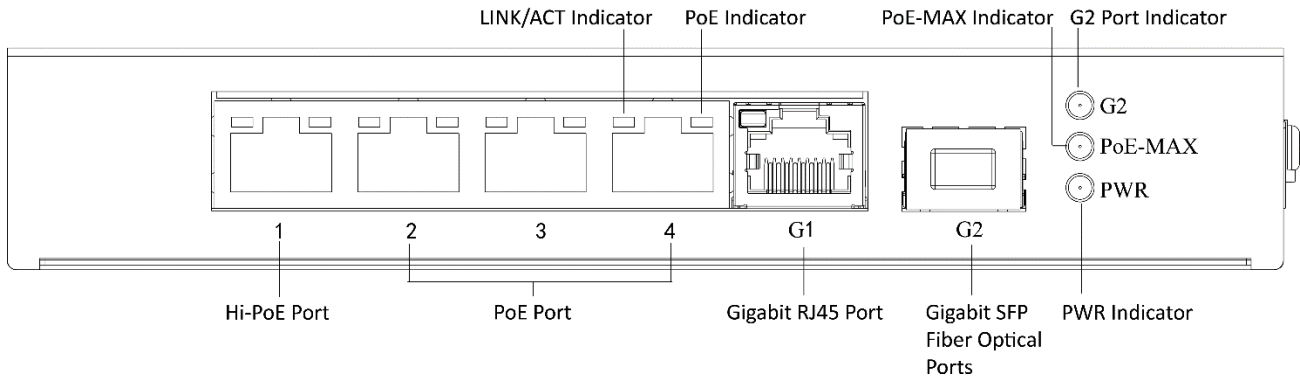
- 3 × 100M PoE ports, 1 × Hi-PoE port, 1 × gigabit RJ45 port and 1 × gigabit SFP Fiber Optical Port.
- IEEE 802.3at/af/bt standard for Hi-PoE port (Max. 60 W PoE output).
- IEEE 802.3at/af standard for PoE ports (Max. 30 W PoE output).
- IEEE 802.3, IEEE 802.3u, IEEE 802.3x, IEEE 802.3z and IEEE 802.3ab standard.
- 6 KV surge protection for PoE ports.
- Up to 300 m long-range transmission.
- PoE watchdog to auto detect and restart the cameras that do not respond.
- Port isolation to improve network security.
- Wire-speed forwarding.
- Wider temperature (-30 to 65 °C) design.
- Store-and-forward switching.
- Solid high-strength metal shell.
- Reliable fan-free design.

Specification

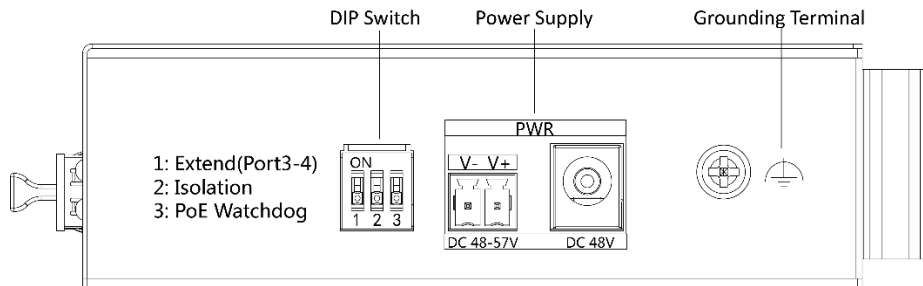
Model		DS-3T0306HP-E/HS
Network parameters	Port number	3 × 100M PoE ports, 1 × Hi-PoE port, 1 × gigabit RJ45 port and 1 × gigabit SFP Fiber Optical Port
	Port type	RJ45 port, full duplex, MDI/MDI-X adaptive
	Standard	IEEE 802.3, IEEE 802.3u, IEEE 802.3x, IEEE 802.3z and IEEE 802.3ab
	Forwarding mode	Store-and-forward switching
	Working mode	Standard mode (default), Extend mode, Isolation mode, PoE watchdog mode
	Ports for long-distance transmission	Ports 3 and 4
	MAC address table	2 K
	Switching capacity	4.8 Gbps
	Packet forwarding rate	3.5712 Mpps
	Internal cache	1.0 Mbits
PoE power supply	PoE standard	Port 1: IEEE 802.3af, IEEE 802.3at, IEEE 802.3bt Ports 2 to 4: IEEE 802.3af, IEEE 802.3at
	PoE power pin	Ports 1 to 4: Ethernet cables 1/2/3/6 and 4/5/7/8 provide power supply simultaneously.
	PoE port	Ports 2 to 4
	Hi-PoE port	Port 1
	Max. port power	Port 1: 60 W Ports 2 to 4: 30 W
	PoE power budget	60 W
Dialing function	Long range	Ports 3 and 4: up to 300 m.
	Port isolation	Ports 1 to 4: port isolation mode to improve network security.
	PoE watchdog	Ports 1 to 4: auto detect and restart the cameras that do not respond.
General	Shell	Metal material, fan-free design
	Gross weight	0.915 kg (2.02 lb)
	Net weight	0.35 kg (0.77 lb)
	Dimension (L × H × D)	158 mm × 101.2 mm × 31.6 mm (6.22" × 3.98" × 1.24")
	Operating temperature	-30 °C to 65 °C (-22 °F to 149°F)
	Storage temperature	-40 °C to 85 °C (-40 °F to 185 °F)
	Operating humidity	5% to 95% (no condensation)
	Storage humidity	5% to 95% (no condensation)
	Power supply	48 to 57 VDC, 1.35 A Max.
	Power consumption in idle	< 5 W
	Max. power consumption	65 W
Approval	EMC	FCC (47 CFR Part 15, Subpart B); CE-EMC (EN 55032: 2015, EN 61000-3-2: 2014, EN 61000-3-3: 2013, EN 55024: 2010 +A1: 2015); RCM (AS/NZS CISPR 32: 2015); IC (ICES-003: Issue 6, 2016)
	Safety	UL (UL 60950-1); CB (IEC 60950-1:2005 + Am 1:2009 + Am 2:2013); CE-LVD (EN 60950-1:2005 + Am 1:2009 + Am 2:2013)
	Chemistry	CE-RoHS (2011/65/EU); WEEE (2012/19/EU); Reach (Regulation (EC) No 1907/2006)

Physical Interface

Front panel:



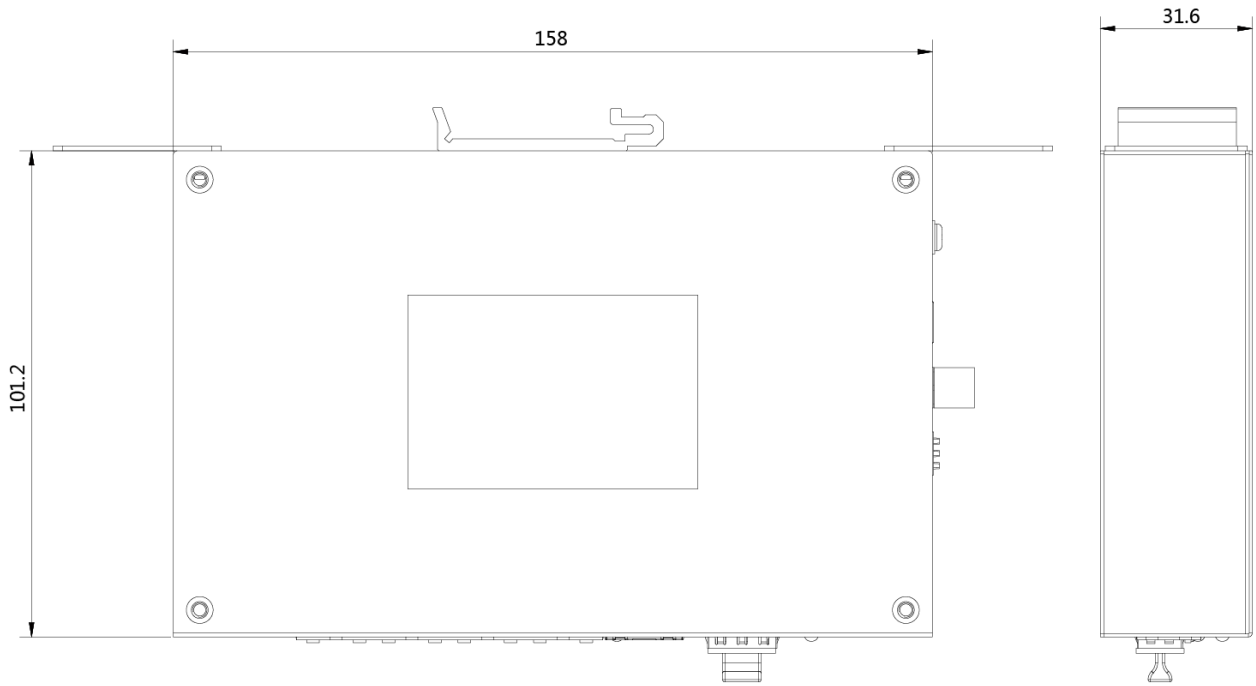
Back panel:



Available Model

DS-3T0306HP-E

Dimension (unit: mm)



Typical Application

4-Port 10/100M PoE

10/100M Unmanaged PoE

Pro-Series

