

## DS-7204HTHI-K1 SERIES TURBO HD DVR

### Key Feature

- H.265 Pro+/H.265 Pro/H.265 video compression
- HDTV/AVHD/CVI/CVBS/IP video input
- Audio via coaxial cable
- Up to 8-ch IP camera inputs (up to 8 MP)
- Max. 800 m for 1080p and 1200 m for 720p HDTV signal transmission
- Up to 10 TB capacity per HDD



### Compression and Recording

- H.265 Pro+ can be enabled to improve encoding efficiency and reduce data storage costs
- Full channel recording at up to 8 MP resolution

### Storage and Playback

- Smart search for efficient playback
- Support the third party cloud storage

### Smart Function

- Support multiple VCA (Video Content Analytics) events for both analog and smart IP cameras
- Support line crossing detection and intrusion detection of all channels, and 2-ch sudden scene change detection

### Network & Ethernet Access

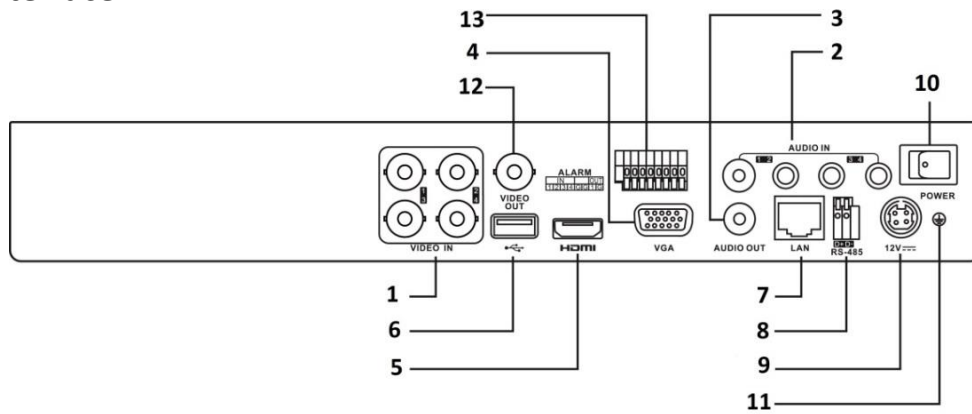
- Hik-Connect & DDNS (Dynamic Domain Name System) for easy network management
- output bandwidth limit configurable

## Specification

<b>Model</b>	<b>DS-7204HTHI-K1</b>
<b>Perimeter Protection</b>	
<b>Line Crossing Detection/ Intrusion Detection</b>	4-ch
<b>Recording</b>	
<b>Video compression</b>	H.265 Pro+/H.265 Pro/H.265/H.264+/H.264
<b>Encoding resolution</b>	8 MP/5 MP/3K/4 MP/3 MP/1080p/720p/WD1/4CIF/VGA/CIF
<b>Frame rate</b>	Main stream: 8 MP@15 fps/5 MP@20fps/3K@20 fps/3 MP@18 fps 4 MP/1080p/720p/WD1/4CIF/VGA/CIF@25 fps (P)/30 fps (N)
	Sub-stream: WD1/4CIF/CIF@25 fps (P)/30 fps (N)
<b>Video bit rate</b>	32 Kbps to 16 Mbps
<b>Dual stream</b>	Support
<b>Stream type</b>	Video, Video & Audio
<b>Audio compression</b>	G.711u
<b>Audio bit rate</b>	64 Kbps
<b>Video and Audio</b>	
<b>IP video input</b>	4-ch (up to 8-ch)
	Up to 8 MP resolution
	Support H.265+/H.265/H.264+/H.264 IP cameras
<b>Analog video input</b>	4-ch
	BNC interface (1.0 Vp-p, 75 Ω), supporting coaxitron connection
<b>HDTVI input</b>	8 MP, 5 MP, 4 MP, 3 MP, 1080p30, 1080p25, 720p60, 720p50, 720p30, 720p25
<b>AHD input</b>	5 MP, 4 MP, 3 MP, 1080p25, 1080p30, 720p25, 720p30
<b>HDCVI input</b>	5 MP, 4 MP, 1080p25, 1080p30, 720p25, 720p30
<b>CVBS input</b>	PAL/NTSC
<b>CVBS output</b>	1-ch, BNC (1.0 Vp-p, 75 Ω), resolution: PAL: 704 × 576, NTSC: 704 × 480
<b>VGA output</b>	1-ch, 1920 × 1080/60Hz, 1280 × 1024/60Hz, 1280 × 720/60Hz, 1024 × 768/60Hz
<b>HDMI output</b>	1-ch, 4K (3840 × 2160)/30Hz, 2K (2560 × 1440)/60Hz, 1920 × 1080/60Hz, 1280 × 1024/60Hz, 1280 × 720/60Hz, 1024 × 768/60Hz
<b>Audio input</b>	4-ch, RCA (2.0 Vp-p, 1 KΩ)
	4-ch via coaxial cable
<b>Audio output</b>	1-ch, RCA (Linear, 1 KΩ)
<b>Two-way audio</b>	1-ch, RCA (2.0 Vp-p, 1 KΩ) (using the first audio input)
<b>Synchronous playback</b>	4-ch
<b>Network</b>	
<b>Total bandwidth</b>	128 Mbps
<b>Remote connection</b>	32
<b>Network protocol</b>	TCP/IP, PPPoE, DHCP, Hik-Connect, DNS, DDNS, NTP, SADP, NFS, iSCSI, UPnP™, HTTPS, ONVIF
<b>Network interface</b>	1, RJ45 10M/100M/1000M self-adaptive Ethernet interface

Auxiliary interface	
<b>SATA</b>	1 SATA interface
<b>Capacity</b>	Up to 10 TB capacity for each disk
<b>Serial interface</b>	RS-485 (half-duplex)
<b>USB interface</b>	Front panel: 1 × USB 2.0 Rear panel: 1 × USB 3.0
<b>Alarm in/out</b>	4/1
General	
<b>Power supply</b>	12 VDC, 1.5 A
<b>Consumption (without HDD)</b>	≤ 15 W
<b>Working temperature</b>	-10 °C to +55 °C (+14 °F to +131 °F)
<b>Working humidity</b>	10% to 90%
<b>Dimension (W × D × H)</b>	315 × 242 × 45 mm (12.4 × 9.5 × 1.8 inch)
<b>Weight (without HDD)</b>	≤ 1.5 kg (3.3 lb)

## Physical Interface



No.	Description	No.	Description
1	Video and Coaxial Audio In	8	RS-485 Serial Interface
2	AUDIO IN, RCA Connector	9	12 VDC Power Input
3	AUDIO OUT, RCA Connector	10	Power Switch
4	VGA Interface	11	GND
5	HDMI Interface	12	VIDEO OUT
6	USB Interface	13	Alarm In/Out
7	LAN Network Interface		

## Available Model

DS-7204HTHI-K1