

DS-2665ZJ-P

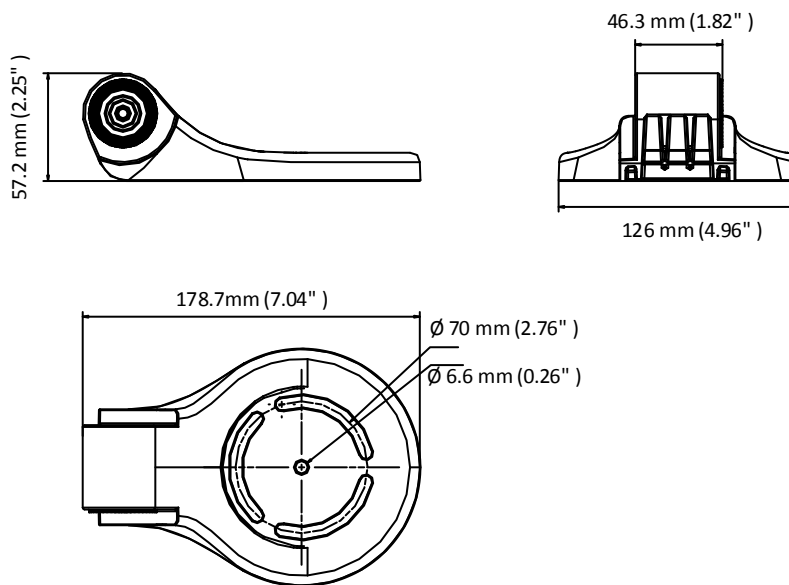
Column Mount



Feature

- Plastic with surface spray treatment
- Install the mount on pole, or column top
- Adjustable pan angle for 60°
- Applies to target capture camera

Dimension



Available Model

DS-2665ZJ-P

Parameter

Model	DS-2665ZJ-P
Parameters	Column Mount
Appearance	Platinum Gray
Material	ADC12
Dimension	178.7 mm × 126 mm × 57.2 mm (7.04" × 4.96" × 2.25")
Weight	439 g (0.97 lb.)

Note

- The mount should be installed on the flat surface.
- The wall must be capable of supporting at least 3 times as much as the total weight of the camera, and the mount.
- The mount's maximum load capacity is 5 kg (11 lb.).

0100001080608