



**27" 10 point touch monitor with edge to edge glass and AMVA panel**

With its Full HD (1920x1080) resolution and accurate Projective Capacitive 10 point touch technology, the ProLite T2736MSC delivers seamless and accurate touch response. The AMVA panel technology guarantees high performance with excellent colour reproduction and high contrast, making it an excellent choice for a vast array of demanding interactive applications. The flexible stand can be positioned at several angles creating a comfortable and ergonomic user experience.



**Touch technology - Capacitive**

This technology uses a sensor-grid of micro-fine wires integrated into the glass that covers the screen. Touch is detected because electrical characteristics of the sensor grid change when human finger is placed on the glass. Thanks to the glass overlay this technology is highly durable, and the touch function remains unaffected even if the glass is scratched. It offers perfect picture performance and will work with human finger (also latex gloved) and stylus-pen.



**Scratch resistance**

Scratch resistance is essential for touch solutions used in public places and schools. This is achieved thanks to a glass overlay covering the screen. It guarantees high durability of the touch function and even more importantly the touch function remains unaffected even if the glass is scratched.

## 01 DISPLAY CHARACTERISTICS

Design	Edge to edge glass
Diagonal	27", 68.6cm
Panel	AMVA LED
Native resolution	1920 x 1080 @60Hz (2.1 megapixel Full HD)
Aspect ratio	16:9
Brightness	300 cd/m <sup>2</sup> typical
Brightness	255 cd/m <sup>2</sup> with touch
Static contrast	3000:1 typical
Light transmittance	85%
Advanced contrast	12M:1
Response time (GTG)	4ms
Viewing zone	horizontal/vertical: 178°/178°, right/left: 89°/89°, up/down: 89°/89°
Colour support	16.7mln
Horizontal Sync	30 - 80kHz
Viewable area W x H	597.6 x 336.15mm, 23.5 x 13.2"
Pixel pitch	0.311mm
Bezel colour and finish	black, matte

## 02 TOUCH

Touch technology	projective capacitive
Touch points	10 (HID, only with supported OS)
Touch method	stylus, finger, glove (latex)
Touch interface	USB
Supported operating systems	All iiyama monitors are Plug & Play and compatible with Windows and Linux. For details regarding the supported OS for the touch models, please refer to the driver instruction file available in the downloads section.
Palm rejection	yes

## 03 INTERFACES / CONNECTORS / CONTROLS

Analog signal input	VGA x1
Digital signal input	HDMI x1 DisplayPort x1
Audio output	Speakers 2 x 2W
HDCP	yes
USB HUB	x4 (v.3.0)

## 04 FEATURES

Glass thickness	2.2mm
OSD key lock	yes

## 05 GENERAL

OSD languages	EN, DE, FR, ES, IT, PT, RU, JP, NL, PL
Control buttons	Scroll up / Audio Adjust / Blue Light Reducer, Scroll down / ECO, Auto, Menu, Power

User controls	Picture adjust (brightness, contrast, ECO, i-Style colour, ACR), geometry (pixel clock, phase, H.position, V.position, aspect), colour settings (gamma, colour temp), OSD (H.position, V. position, OSD time, language), extra (reset, signal select, audio input, opening logo, LED, OD, information, volume, auto adjust)
Convenience	Kensington-lock™ prepared
Blue light reducer	yes
Plug&Play	DDC2B

## 06 MECHANICAL

Tilt angle	73° up; 3° down
VESA mounting	100 x 100mm

## 07 ACCESSORIES INCLUDED

Cables	power (1.8m), VGA (1.8m), USB (1.8m), HDMI (1.8m)
Guides	quick start guide, safety guide

## 08 POWER MANAGEMENT

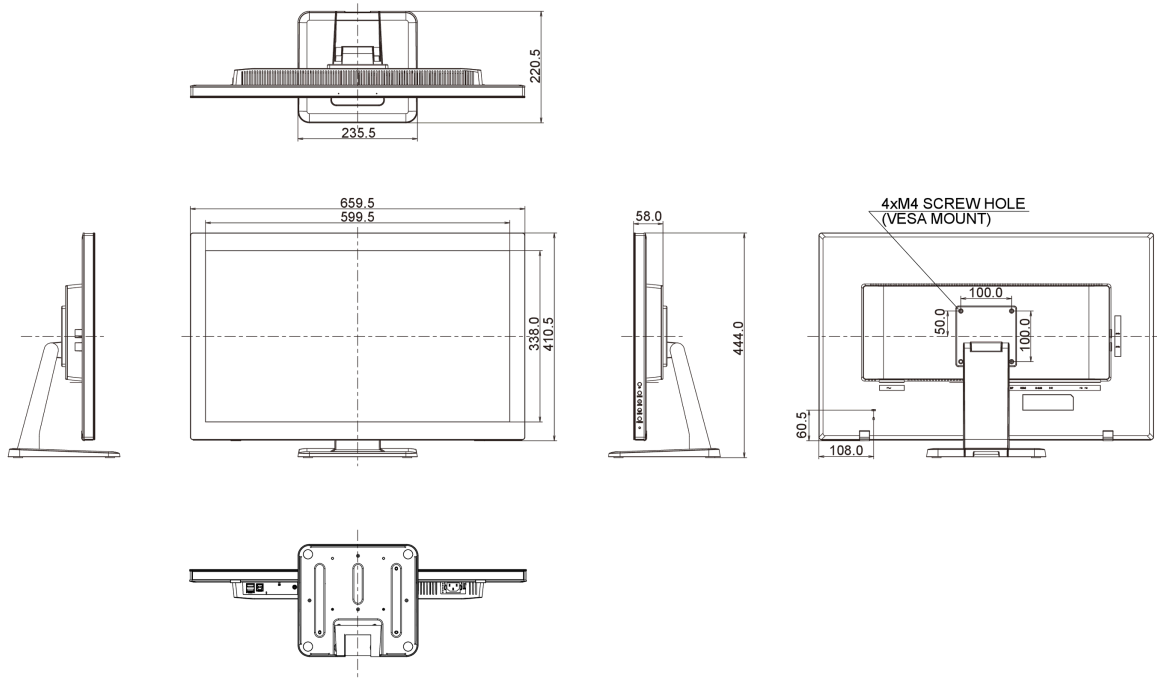
Power supply unit	internal
Power supply	AC 100 - 240V, 50/60Hz
Power usage	28W typical, 0.5W stand by, 0.5W off mode

## 09 SUSTAINABILITY

Regulations	CE, TÜV-Bauart, RoHS support, ErP, WEEE, CU, REACH
Energy efficiency class (Regulation (EU) 2017/1369)	F
Other	REACH SVHC above 0.1%: Lead

## 10 DIMENSIONS / WEIGHT

Product dimensions W x H x D	659.5 x 444 x 220.5mm
Weight (without box)	7.4kg
EAN code	4948570116423



All trademarks and registered trademarks acknowledged. E & O E. Specification subject to change without notice. All LCD's comply with ISO-9241-307:2008 in connection with pixel defects.

© IYAMA CORPORATION. ALL RIGHTS RESERVED