

DS-1281ZJ-M(SPTZ)

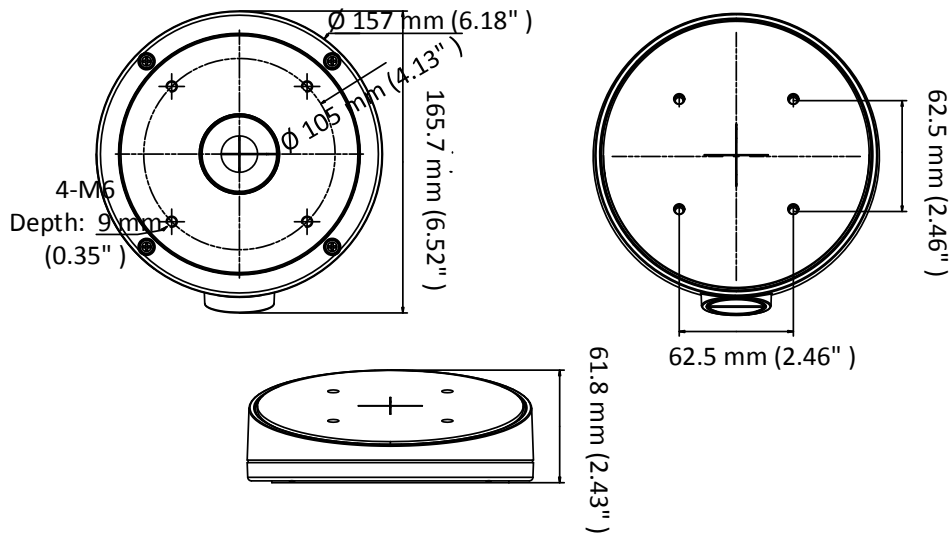
Junction Box



Feature

- Aluminum alloy with surface spray treatment
- Cable hole design facilitates cable routing
- Applies to both indoor conditions and outdoor conditions

Dimension



Available Model

DS-1281ZJ-M(SPTZ)

Parameter

Model	DS-1281ZJ-M(SPTZ)
Parameters	Junction Box
Appearance	Hikvision White
Material	Aluminum Alloy
Dimension	$\varnothing 157 \text{ mm} \times 165.7 \text{ mm} \times 61.8 \text{ mm}$ (6.18" \times 6.52" \times 2.43")
Weight	Approx. 586 g (1.29 lb.)

Note

- The mount should be installed on the flat surface.
- The waterproofing measures are necessary for the outdoor application.
- The wall must be capable of supporting at least 3 times as much as the total weight of the camera, and the junction box.
- The maximum load capacity of the junction box is 3 kg (6.6 lb.).

0100001080522